

Stainless Steel & HDPE Penstocks



Penstocks are used to control liquid flow, in applications that include water, waste water and sewage treatment plants, drainage infrastructure, waterways, power plants, industrial effluent plants and hydro power.

Operators can control water flow through the penstock by fully opening the gate, fully closing it or partly opening it, as the situation requires. They can play an important role in flood control situations.

There is a range of operating gear options available, from spindle extension sets through to fully automated systems. Non-rising spindles are fitted as standard, although rising spindles are also available.

Benefits

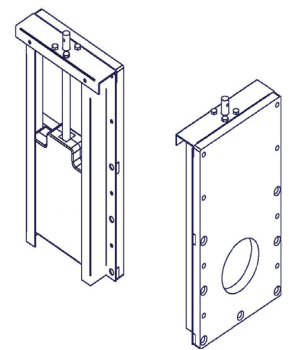
- Manufactured to BS7775
- Much lighter in weight than penstocks of other materials, with no cranes required during installation
- Gasket forms watertight seal between penstock and wall, so that grouting is not necessary
- The above benefits can reduce installation time from an average of three days with traditional penstocks, down to around three hours on average
- Wedgeless design reduces complexity, lowering the possibility of issues in service
- Self-lubricating door nut requires no maintenance, provided the penstock is operated once a year
- Materials used are corrosion resistant, offering a long life and low maintenance costs
- A range of operating gear options available, including spindle extension sets, rising spindles and fully automated systems
- Stainless steel penstocks also available on request
- Our penstocks are supplied in accordance with ISO 9001:2008 requirements.

Global leaders in flexible couplings,
drainage & plumbing systems

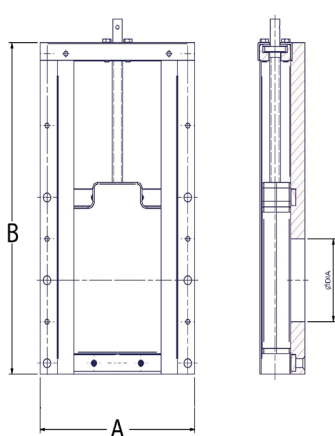
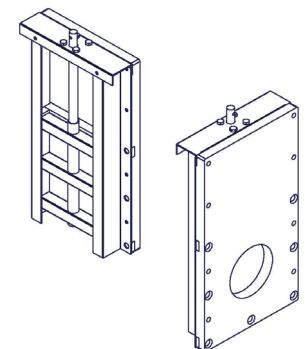
Construction Materials		
Component	Standard materials	Options
Frame	Grade 304 stainless steel (1.4301)	Grade 316 stainless steel (1.4401)
Slide gate	HMPE 500	Grade 316 stainless steel (1.4401)
Backing plate	HDPE 300	
Reinforcements	Grade 304 stainless steel (1.4301)	Grade 316 stainless steel (1.4401)
Non-rising spindle	Grade 304 stainless steel (1.4301) TR25 x 7.5	
Spindle bearing	PTFE	
Door nut	POM (self lubricating)	Bronze
Bolts & nuts	Stainless steel A4	
Seal	NBR	

Standard Series Product Range

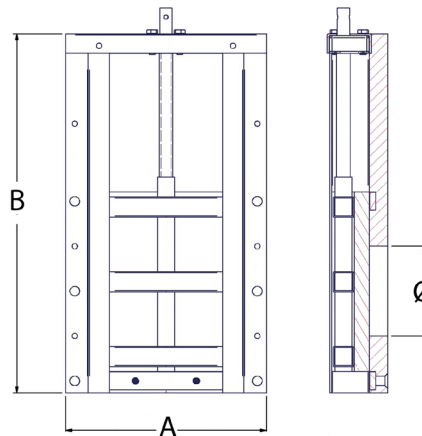
Product Code	Diameter (Ø)	A Total Width (mm)	B Total Height (mm)	Pressure (mwc)	Weight (Kg)	Mounting Set
PS150	150	340	600	6	16	PSMS150
PS200	200	390	700	6	22	PSMS200
PS250	250	440	800	6	26	PSMS250
PS300	300	490	900	6	31	PSMS300



Product Code	Diameter (Ø)	A Total Width (mm)	B Total Height (mm)	Pressure (mwc)	Weight (Kg)	Mounting Set
PS400	400	670	1150	6	55	PSMS400
PS500	500	770	1350	6	75	PSMS500
PS600	600	870	1550	6	90	PSMS600
PS700	700	970	1750	6	110	PSMS700
PS800	800	1070	1950	6	130	PSMS800
PS900	900	1170	2150	6	155	PSMS900



For Ø DN 150 - 300



For Ø DN 400 - 600 products

Optional features, also available:

- Non-standard sizes
- Electric, hydraulic or pneumatic operating systems
- Rising spindle
- Wedge construction
- Accessories, including hand wheels, guide brackets, tee keys and caps

V005NOV18